



AVH704HD / AVH904HD

QUICK START GUIDE

7"/9" Headrest Monitor with DVD Plyer

This Quick Start Guide gives you the basics to start using your AVH704HD/AVH904HD. Please visit www.dualav.com/support/manuals.pdf to download a complete owner's manual or call customer service at 1-866-382-5476 (Monday-Friday, 9AM-5PM EST).



Customer Service Toll Free: 1-866-382-5476

Safety Notes:

The DVD video display of the in-dash unit will not operate while the vehicle is moving. This is a safety feature to prevent driver distraction. In-dash DVD video functions will only operate when vehicle is in Park and the parking brake is engaged. It is illegal in most states for the driver to view video while the vehicle is in motion.

One-Year Limited Warranty

This warranty gives you specific legal rights. You may also have other rights which vary from state to state.

Dual Electronics Corp. warrants this product to the original purchaser to be free from defects in material and workmanship for a period of one year from the date of the original purchase.

Dual Electronics Corp. agrees, at our option, during the warranty period, to repair any defect in material or workmanship or to furnish an equal new, renewed or comparable product (whichever is deemed necessary) in exchange without charges, subject to verification of the defect or malfunction and proof of the date of purchase. Subsequent replacement products are warranted for the balance of the original warranty period.

Who is covered? This warranty is extended to the original retail purchaser for products purchased from an authorized Dual dealer and used in the U.S.A.

What is covered? This warranty covers all defects in material and workmanship in this product. The following are not covered: software, installation/removal costs, damage resulting from accident, misuse, abuse, neglect, product modification, improper installation, incorrect line voltage, unauthorized repair or failure to follow instructions supplied with the product, or damage occurring during return shipment of the product. Specific license conditions and copyright notices for the software can be found via www.dualav.com.

What to do?

1. Before you call for service, check the troubleshooting guide in your owner's manual. A slight adjustment of any custom controls may save you a service call.

2. If you require service during the warranty period, you must carefully pack the product (preferably in the original package) and ship it by prepaid transportation with a copy of the original receipt from the retailer to an authorized service center.

3. Please describe your problem in writing and include your name, a return UPS shipping address (P.O. Box not acceptable), and a daytime phone number with your shipment.

4. For more information and for the location of the nearest authorized service center please contact us by one of the following methods:

- Call us toll-free at 1-866-382-5476 (Monday-Friday, 9:00 a.m. to 5:00 p.m. EST)
- E-mail us at cs@dualav.com

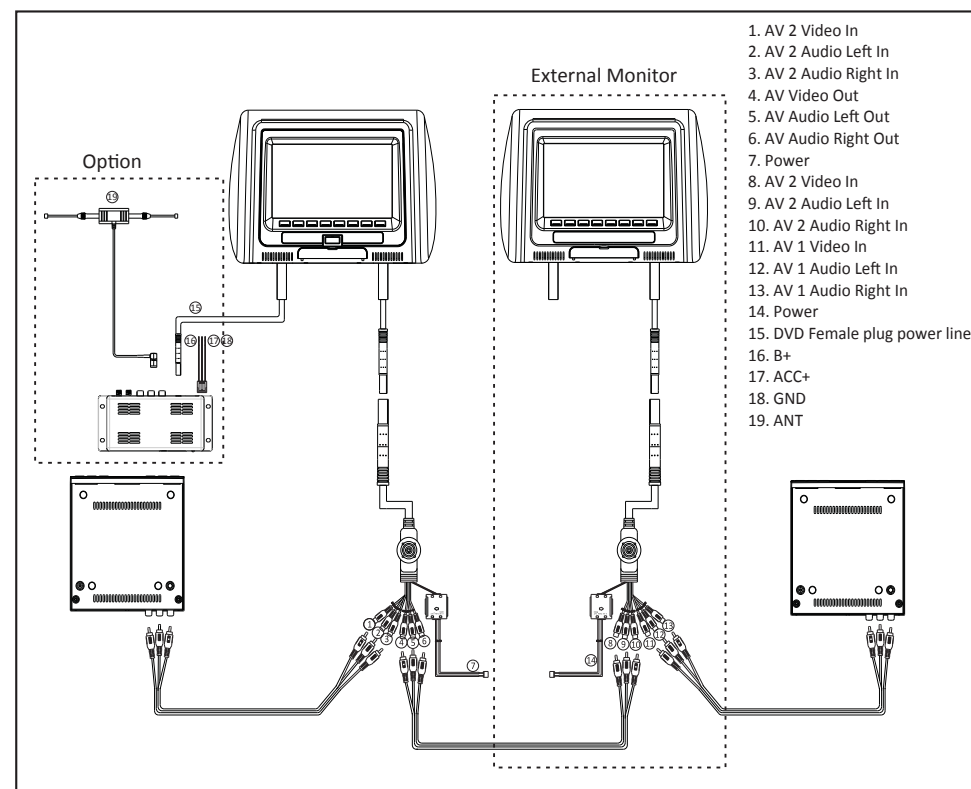
Exclusion of Certain Damages: This warranty is exclusive and in lieu of any and all other warranties, expressed or implied, including without limitation the implied warranties of merchantability and fitness for a particular purpose and any obligation, liability, right, claim or remedy in contract or tort, whether or not arising from the company's negligence, actual or imputed. No person or representative is authorized to assume for the company any other liability in connection with the sale of this product. In no event shall the company be liable for indirect, incidental or consequential damages.

www.dualav.com
©2014 Dual Electronics Corp.
NSC1224-V01
Printed in China

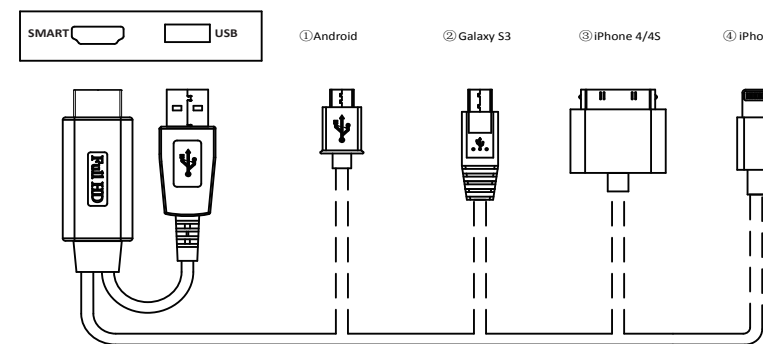
Copyright and Trademark Notes

This product incorporates copyright protection technology that is protected by method claims of certain U.S. patents and other intellectual property rights owned by Macrovision Corporation and other rights owners. Use of this copyright protection technology must be authorized by Macrovision Corporation, and is intended for home and other limited viewing uses only unless otherwise authorized by Macrovision Corporation. Reverse engineering or disassembly is prohibited. Manufactured under license from Dolby Laboratories. Dolby and the double-D symbol are trademarks of Dolby Laboratories. DVD Logo is a trademark of DVD Format/Logo Licensing Corporation registered in the U.S., Japan and other countries. SD Logo is a trademark of SD-3C, LLC. iPod and iPhone are trademarks of Apple Inc., registered in the U.S. and other countries. Dual Electronics Corporation is not affiliated with Apple, Inc. Other trademarks and trade names are those of their respective owners.

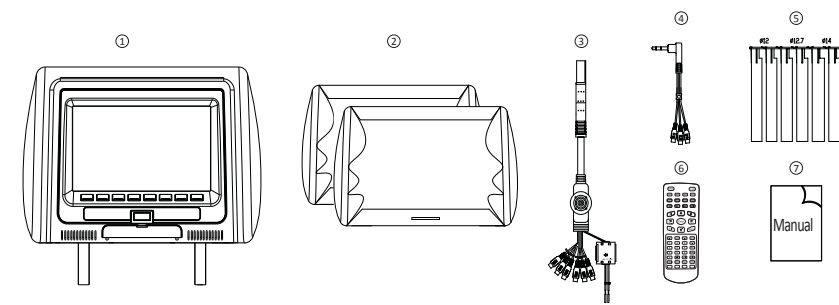
Wiring Diagram



Display Link Interface Diagram



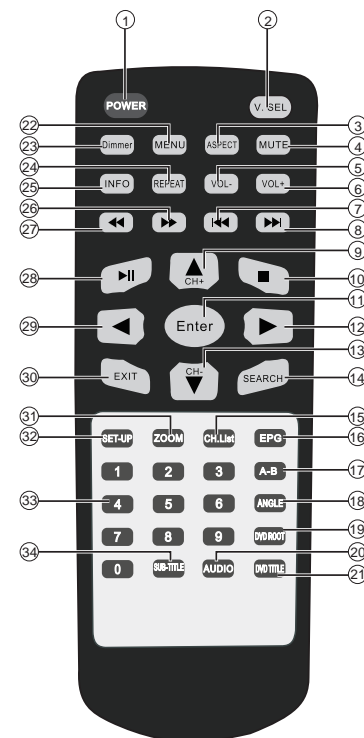
Materials in The Box



- 7" / 9" Headrest DVD
- Beige cover and Gray cover
- DIN to RCA cable
- Front AV input RCA Cable
- Pipe Adaptors (12/12.7/14mm)
- Remote Control
- Owner's Manual

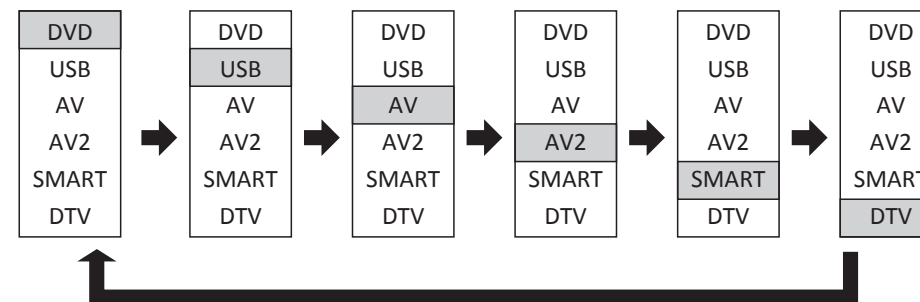
Remote Control

- Power
- V.SEL
- ASPECT
- Mute
- Volume Down
- Volume Up
- Previous Chapter
- Next Chapter
- Cursor Up
- Stop
- Enter
- Cursor Right
- Cursor Down
- Search
- CH.List
- EPG
- A-B
- Angle
- DVD Root
- Audio
- DVD Title
- Dimmer
- Repeat
- Info
- Cursor Up
- Tune Up
- Tune Down
- Play/Pause
- Cursor Left
- Exit
- Zoom
- Set-up
- Number keys
- Sub Title



How to change VIDEO Sources

This unit has 6 different Modes. DVD, USB, AV, AV2, SMART, DTV



- DVD
 - Press OPEN button on the unit to load DVD or CD disc
 - Completely close the LCD flip until you hear the sound "Click"
 - DVD or CD disc will be playing automatically.

- USB
 - Put USB Memory on the slot locted on right bottom side (inside of folding flip)
 - Press V.SEL button on the unit or Remote to move cursor to USB on the screen
 - Select target file using < > buttons in the unit or << / >> button on the remote
 - Press "PLAY" button on the unit or remote to play & pause the file
 - Press "EXIT" button on the unit or remote to move to previous folder

- AV
 - AV input locate on the left bottom side of unit (Inside of folding flip)
 - You can simply connect Portable or Handheld devices to this front AV input

- AV2
 - AV2 input locate on the DIN to RCA cable (together with POWER and AV output)
 - This input designed for slave external devices such as TV tuner or Game console

- SMART
 - Please connect SMART LINK cable from external unit to Headrest's SMART input port.
 - Please change Video mode to SMART
 - Operate External device (especially video). Same picture as external device will be shown on the Headrest screen

- DTV
 - This input designed for Digital TV.
 - Only able to watching Digital TV Connect with TV-300 tuner box (sold separately).
 - Defail Position method is explained on TV-300 Manual.

- * Smart phone Interface
 - Basically, operation for SMART LINK function of Smart phone is same as above
 - To operate your Smartphone, please connect the specific cable shown below
 - Please make sure USB needs to be connected on the port to activate SMART LINK function on the smart phone
 - Please chose one cable among the below 4 types which matching with your smart phone type.

Menu



Please refer Monitor MENU adjust as below

Color		
Menu	Value Adjust	Defaul Setting
Brightness	0~100	50
Contrast	0~100	50
Hue	0~100	50
Saturation	0~100	50
Sharpness	0~100	50
Color Temp	Warm, Normal, Cool	Normal

EXIT:Exit from the MENU

Function		
Menu	Value Adjust	Defaul Setting
Language	English, Chinese, French, German, Italian, Spanish, Portuguese, Russian	English
OSD Setting	OSD Timeout and Transparency	Setting
Display Ratio	16:9 and 4:3	16:9
IR	IR-A, IR-B, Off	IR-A
FM TX	76~108 330CH and Off	Off
RESET	Back to factory setting	

EXIT:Exit from the MENU

Setup Operation

SET-UP page consists of 4 different settings. It's General Set up page, Audio Set up page, Video Set up page and Preference page.

* Preferece page only able to OPEN when DVD is completely "STOP" or "NO Disc" position When DV is playing or only temporary stop, "Preference page" will not able to reach Please press "STOP" 2 times tomake Disc completely stop or OPEN Monitor flip to reach "Preference page".

*Please use <, >, <<, >>, <v>, >v> buttons and ENTER button to go inside of detail MENU and exit from detail menu.

1.General Set up Page

MENU	DetailSelection	Default Setting
TV Display	Normal/PS , Normal/LB , Wide , Wide Squeeze	Normal/PS
Angle Mark	On , Off	On
OSD Lang	English, Chinese, French, German, Italian Spanish, Portuguese, Russian	English
Captions	On,Off	Off
Screen Saver	On,Off	On
Last Memory	On,Off	On

2.Audio Set up Page

MENU	Detail Selection	Default Setting
Downmix	LT/RT,Stereo,V SURR,Off	Stereo

3.Video Set up Page

MENU	Detail Selection	Default Setting
Dual Mono	Stereo,L-Mono,R-mono,Mix-Mono	Stereo

4.Preference Setup Page

MENU	Detail Selection	Default Setting
TV Type	PAL TV, Multi, NTSC TV	Multi
Audio	English, French, Spanish, Chinese, Japanese Korean, Russian, Thai	English
Subtitle	English, French, Spanish, Chinese, Japanese Korean, Russian, Thai	English
Disc Menu	English, French, Spanish, Chinese, Japanese Korean, Russian, Thai	English
Parental	KID,G,PG,PG 13,PGR,R,NC 17,ADULT	ADULT
Password	8888	8888
Default	RESET	RESET

General specifications

No.	Functions	Description
1	Aspect Ratio	16 : 9
2	Resolution	800 X RGB X 480
3	DVD Player	Fully Integrated with Top Loading DVD Player
4	USB Slot	Video, Audio and Piture Viewer
5	SMART Input	Display Link Interface
6	AV Inputs	2 AV Inputs(One on the Front Panel)
7	Video Input Level	1Vp-p, 75 ohm(composite)
8	Wired Headphone Input	On the Front Panel
9	Wireless Headphone Suprot	Yes
10	IR Frequency(A Ch.)	2.3MHz/2.8MHz
11	IR Frequency(B Ch.)	3.2MHz.3.8MHz
12	FM Transmitter	Built-in 330CH
13	Post Diameter	10mm Post with 12/12.7/14mm Post Adapters
14	Posts Distance	Adjustable 110mm~210mm
15	Remote Control	Full Funcion Remote Control Included
16	3 Different Color Choices	Black, Beige, Gray
17	Power	DC 12V(9V~16V)