



## AV6995MB

### QUICK START GUIDE

DVD Multimedia Receiver with 6.2" LCD, Bluetooth® and 2-Way DualMirror™

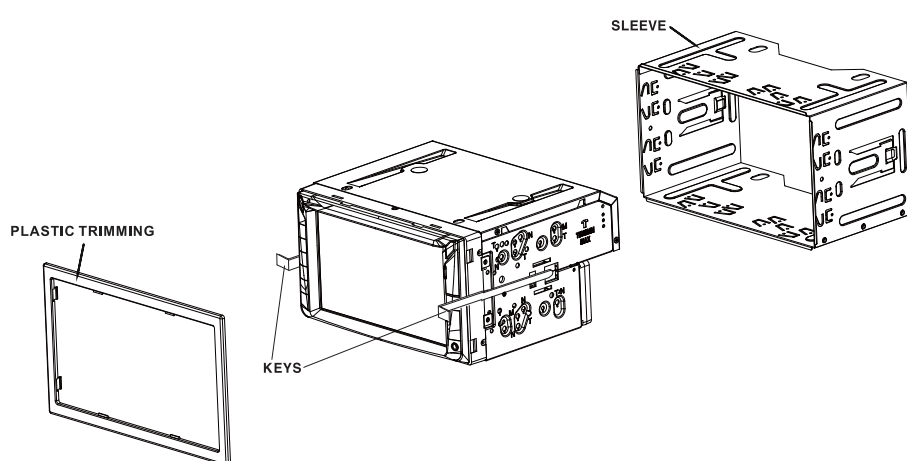
This Quick Start Guide gives you the basics to start using your AV6995MB. Please visit [www.axxeraaudio.com/support/manuals.php](http://www.axxeraaudio.com/support/manuals.php) to download a complete owner's manual or call customer service at 1-866-382-5476 (Monday-Friday, 9AM-5PM EST).



Customer Service Toll Free: 1-866-382-5476

**Safety Notes:**  
The DVD video display of the in-dash unit will not operate while the vehicle is moving. This is a safety feature to prevent driver distraction. In-dash DVD video functions will only operate when vehicle is in Park and the parking brake is engaged. It is illegal in most states for the driver to view video while the vehicle is in motion.

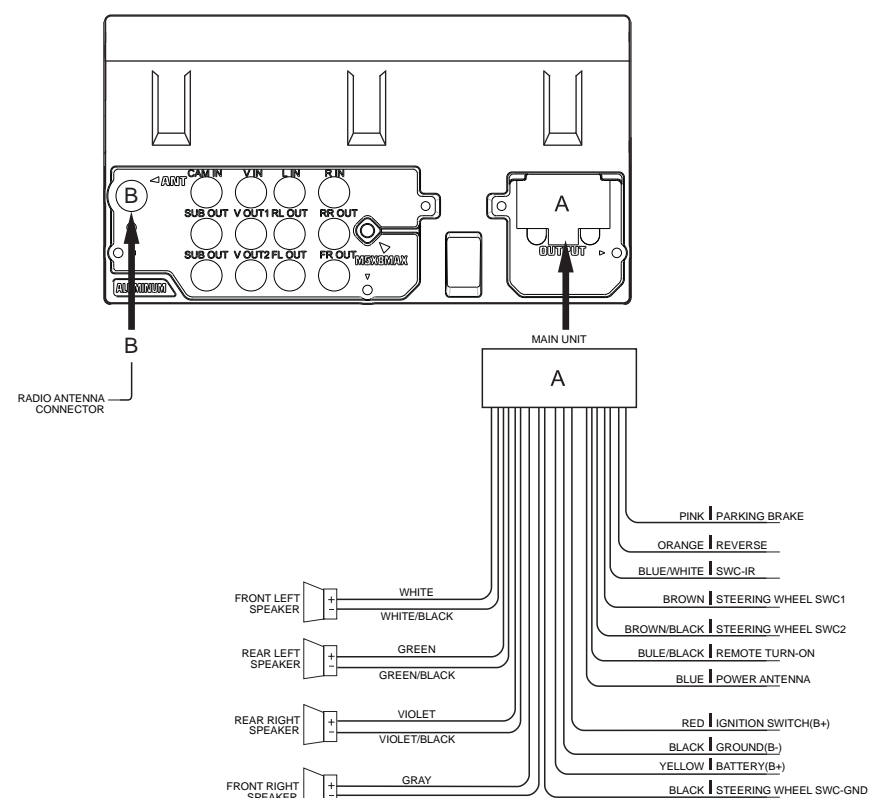
## Installation



### Copyright and Trademark Notes

This product incorporates copyright protection technology that is protected by method claims of certain U.S. patents and other intellectual property rights owned by Macrovision Corporation and other rights owners. Use of this copyright protection technology must be authorized by Macrovision Corporation, and is intended for home and other limited viewing uses only unless otherwise authorized by Macrovision Corporation. Reverse engineering or disassembly is prohibited. Manufactured under license from Dolby Laboratories. Dolby and the double-D symbol are trademarks of Dolby Laboratories. DVD Logo is a trademark of DVD Format/Logo Licensing Corporation registered in the U.S., Japan and other countries. SD Logo is a trademark of SD-3C, LLC. iPod and iPhone are trademarks of Apple Inc., registered in the U.S. and other countries. Dual Electronics Corporation is not affiliated with Apple, Inc. Other trademarks and trade names are those of their respective owners.

## Wiring Diagram - Inputs/Outputs



## Control Locations



- |                                |                          |                  |
|--------------------------------|--------------------------|------------------|
| 1. Eject - Press to eject disc | 5. MIC                   | 9. Menu (Phone)  |
| 2. USB Slot                    | 6. Remote Control Sensor | 10. Home (Phone) |
| 3. HDMI Port                   | 7. Power                 | 11. Back (Phone) |
| 4. AV Input                    | 8. Home                  | 12. Volume Up    |
|                                |                          | 13. Volume Down  |

## Remote Control

- |                                  |                                |
|----------------------------------|--------------------------------|
| 1. Power & Mode                  | 14. EQ (Equalizer)/ Loud(ness) |
| 2. Talk                          | 15. *                          |
| 3. Eject                         | 16. Mute                       |
| 4. Setup                         | 17. END & Reject               |
| 5. Subtitle & LOCAL/DX (Distant) | 18. Clock                      |
| 6. Tune/Previous Track           | 19. Clear                      |
| 7. Band                          | 20. Tune/Next Track            |
| 8. Title/PBC                     | 21. OK                         |
| 9. Back                          | 22. Forward                    |
| 10. Volume Up/Down               | 23. Stop                       |
| 11. Menu & Subwoofer             | 24. Play/Pause                 |
| 12. Angle & Zoom                 | 25. 9/TA(Traffic Announcement) |
| 13. Audio & MO(Mono) /ST(Stereo) | 26. #                          |
|                                  | 27. (Alterative Frequencies)   |

## Main Menu

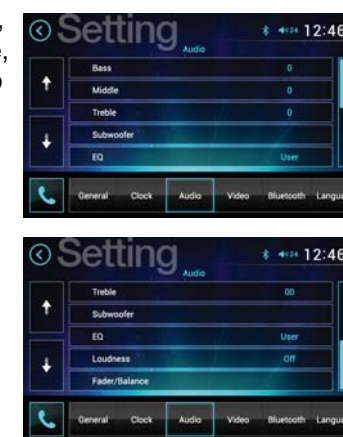
In the Menu mode, press the desired icon to enter the corresponding mode: Tuner, Disc, USB, DualMirror, Bluetooth Phone, Bluetooth Music, Front AV Input, Rear AV Input.

Tap LEFT or RIGHT arrows or Swipe to the left or right to get to the next screen for more functions.



## Audio Control

Tap Audio Setting to select between Bass, Middle, Treble, Subwoofer, EQ, Loudness, Fader/Balance, Audio Mix. You can adjust the level for each audio option by turning the rotary left and right.



## Tuner Operation

Select the Tuner icon from the Main Menu screen or press MODE unit Tuner is selected.

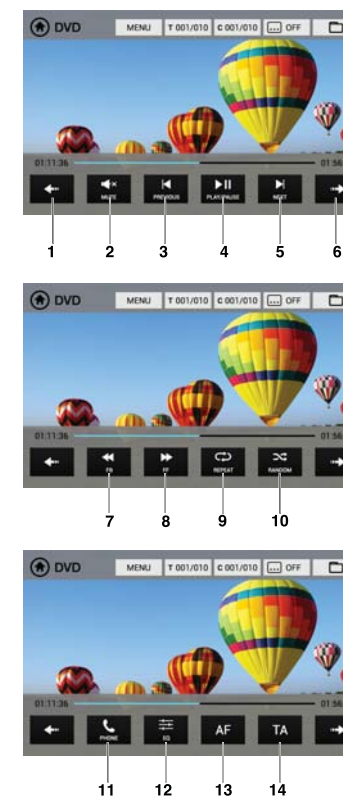
- Return to Main Menu
- Information Display
- Tune Up
- Next Menu
- Band
- AS/PS
- Audio Control
- Mute On/OFF
- Previous Menu
- Tune Down



## DVD Operations

Insert a DVD in the disc slot for playback.

- Previous Menu
- Mute On/OFF
- Previous Track
- Play/Pause
- Next Track
- Next Menu
- Rewind
- Fast Forward
- Repeat Play
- Random Play
- Phone
- EQ(User/Jazz/Classic/Pop/Rock/Beat/Flat)
- AF
- TA



## CD Operations

Insert a CD in the disc slot, and the unit will read the disc.

- Previous Menu
- Mute On/OFF
- Audio Control
- Repeat Play
- Random Play
- Next Menu
- Rewind
- Fast Forward
- Loud
- Subwoofer
- AF
- TA
- Volume Up
- Volume Down
- Previous Track
- Play/Pause
- Next Track
- File List



## General Operation

### Setup Menu

From the Main Menu screen, press Setup to enter the Setup Menu. The first 7 setup options will be displayed on the screen.

\*.According to vehicle type, please change the IMPEDANCE setting from GENERAL menu if the steering wheel control does not work.

Please refer to the included SWC Operation Guide for more information.



## Bluetooth Operation

### Bluetooth Microphone

The Bluetooth MIC is built-in to the receiver.

### Pairing and Connecting

Before you can use a Bluetooth device, it must be paired and connected. The Multi Media broadcasts the pairing signal constantly when no devices are currently connected. Complete the pairing sequence from your Bluetooth device. The device name is "Dual BT". The Bluetooth passcode "0000". Once pairing is complete, most Bluetooth devices will connect automatically if the device is in range when the unit is powered-on.

### Dialing a Number

Press to display keypad and dial a number.

### Making and Ending a Call

Press to connect a call, and press to end a call.

### Accessing Recent Call List

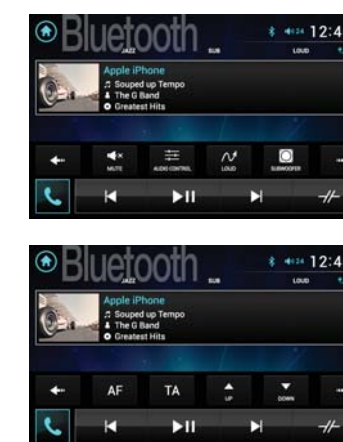
Press to access the recent call list and view/select numbers from recent Received, Dialed or Missed calls.

### Transferring Audio

Press to transfer audio between the head unit and mobile phone.

### Streaming Audio

Press to enter the music control menu. Press to play or pause the music. Press to skip to the previous track. Press to advance to the next track.



## DualMirror™ Operation

See insert for DualMirror Operation Guide.

## One-Year Limited Warranty

This warranty gives you specific legal rights. You may also have other rights which vary from state to state.

Dual Electronics Corp. warrants this product to the original purchaser to be free from defects in material and workmanship for a period of one year from the date of the original purchase.

Dual Electronics Corp. agrees, at our option, during the warranty period, to repair any defect in material or workmanship or to furnish an equal new, renewed or comparable product (whichever is deemed necessary) in exchange without charges, subject to verification of the defect or malfunction and proof of the date of purchase. Subsequent replacement products are warranted for the balance of the original warranty period.

Who is covered? This warranty is extended to the original retail purchaser for products purchased from an authorized Dual dealer and used in the U.S.A.

What is covered? This warranty covers all defects in material and workmanship in this product. The following are not covered: software, installation/removal costs, damage resulting from accident, misuse, abuse, neglect, product modification, improper installation, incorrect line voltage, unauthorized repair or failure to follow instructions supplied with the product, or damage occurring during return shipment of the product. Specific license conditions and copyright notices for the software can be found via [www.dualav.com](http://www.dualav.com).

### What to do?

- Before you call for service, check the troubleshooting guide in your owner's manual. A slight adjustment of any custom controls may save you a service call.
- If you require service during the warranty period, you must carefully pack the product (preferably in the original package) and ship it by prepaid transportation with a copy of the original receipt from the retailer to an authorized service center.
- Please describe your problem in writing and include your name, a return UPS shipping address (P.O. Box not acceptable), and a daytime phone number with your shipment.
- For more information and for the location of the nearest authorized service center please contact us by one of the following methods:
  - Call us toll-free at 1-866-382-5476 (Monday-Friday, 9:00 a.m. to 5:00 p.m. EST)
  - E-mail us at [cs@dualav.com](mailto:cs@dualav.com)

Exclusion of Certain Damages: This warranty is exclusive and in lieu of any and all other warranties, expressed or implied, including without limitation the implied warranties of merchantability and fitness for a particular purpose and any obligation, liability, right, claim or remedy in contract or tort, whether or not arising from the company's negligence, actual or imputed. No person or representative is authorized to assume for the company any other liability in connection with the sale of this product. In no event shall the company be liable for indirect, incidental or consequential damages.